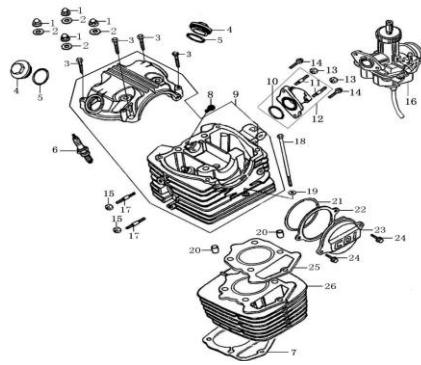


CYLINDER HEAD ASSY/CYLINDER ASSEMBLY

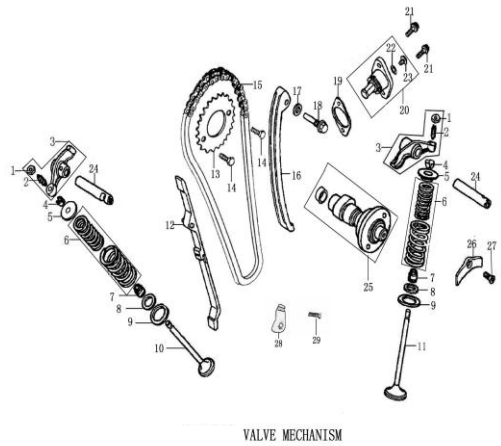
N°	PART CODE	DESCRIPTION	Qté
1	BHR250FM01 100100508-0007	NUT M8	4
2	BHR250FM01 100106576	WASHER 8.5x2x18	4
3	BHR250FM01 100011537-0002	BOLT M6x35	4
4	BHR250FM01 100102871-0011	COVER, VALVE CHAMBER	2
5	BHR250FM01 100107766	O-RING 35x3	2
6	BHR250FM01 100104137	SPARK PLUG	1
7	BHR250FM01 100051025	GASKET,CYLINDER BLOCK	1
8	BHR250FM01 100100002	RUBBER, CASING CAP	1
9	BHR250FM01 100208243-0008	CYLINDER HEAD ASSY	1
10	BHR250FM01 100107759	O-RING 33.5x3	1
11	BHR250FM01 100100423	BOLT	2
12	BHR250FM01 100105352	INLET PIPE	1
13	BHR250FM01 100011421-0003	NUT M6	2
14	BHR250FM01 100011174-0004	BOLT M6x20	2
15	BHR250FM01 100011422-0004	NUT M8	2
16	BHR250FM01 100300217	CARBURETOR	1
17	BHR250FM01 100100438-0002	BOLT M8x38	2
18	BHR250FM01 100100415-0005	BOLT M6x125	1
19	BHR250FM01 100106337	WASHER 6.2x2x13	1
20	BHR250FM01 100031687	PIN 10x20	2
21	BHR250FM01 100107823	O-RING 75x2.65	1
22	BHR250FM01 100104540	GASKET,L,CYLINDER HEAD COVER	1
23	BHR250FM01 100102865-0008	LEFT COVER, CYLINDER HEAD	1
24	BHR250FM01 100055588-0006	BOLT M6x20	2
25	BHR250FM01 100208894	GASKET ASSY,CYLINDER HEAD	1
26	BHR250FM01 100207693-0007	CYLINDER BLOCK ASSEMBLY	1



CYLINDER HEAD ASSY/CYLINDER ASSEMBLY

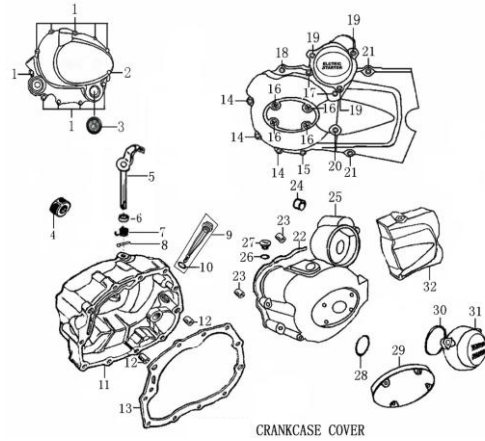
VALVE MECHANISM

N°	PART CODE	DESCRIPTION	Qté
1	BHR250FM01 100105158	NUT,VALVE CLEARANCE	2
2	BHR250FM01 100105168	SCREW, VALVE CLEARANCE	2
3	BHR250FM01 100105180	ROCKER ARM ASSEMBLY, VALVE	2
4	BHR250FM01 100051841	VALVE LOCKER	4
5	BHR250FM01 100105307	SPRING SEAT	2
6	BHR250FM01 100105329	INNER SPRING,ASSY	2
7	BHR250FM01 100105336	SEAL, VALVE STEM	2
8	BHR250FM01 100105325	SPRING SEAT	2
9	BHR250FM01 100105315	OUTER VALVE SPRING RETAINER	2
10	BHR250FM01 100200647	EXHAUST VALVE	1
11	BHR250FM01 100200596	INTAKE VALVE	1
12	BHR250FM01 100105226	GUIDE PLATE CHAIN	1
13	BHR250FM01 100105055	TIMING DRIVEN SPROCKET	1
14	BHR250FM01 100011171-0002	BOLT M6x12	2
15	BHR250FM01 100105129	SPROCKET CHAIN	1
16	BHR250FM01 100200480	TENSION PLATE ASSY	1
17	BHR250FM01 100106544	WASHER 8.5x1.5x14	1
18	BHR250FM01 100100363-0007	BOLT	1
19	BHR250FM01 100104605	GASKET,TENSIONER	1
20	BHR250FM01 100108552-0011	LIFTER ASSY	1
21	BHR250FM01 100010837-0002	SCREW M6x16	2
22	BHR250FM01 100107848	O-RING 9x1.8	1
23	BHR250FM01 100108598-0001	BOLT M6x6	1
24	BHR250FM01 100105149	ROCKER SHAFT	2
25	BHR250FM01 100200200	GAMP SHAFT COMP	1
26	BHR250FM01 100102809	POSITION PLATE,ROCKER SHAFT	1
27	BHR250FM01 100010972-0003	SCREW M6x16	1
28	BHR250FM01 100202747	ASSEMBLY, CHAIN PROTECT PLATE	1
29	BHR250FM01 100011173-0003	BOLT M6x16	1



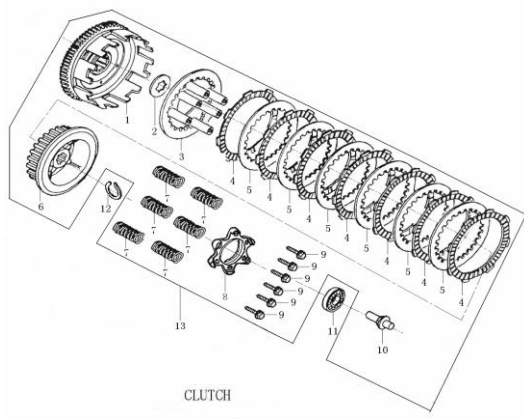
CRANKCASE COVER

N°	PART CODE	DESCRIPTION	Qté
1	BHR250FM01 100011538-0003	BOLT M6x40	10
2	BHR250FM01 100011540-0007	BOLT M6x50	1
3	BHR250FM01 100101319	OIL LELVE SIGHT WINDOW	1
4	BHR250FM01 100104733	OIL SEAL 16x28x7	1
5	BHR250FM01 100203159-0002	CONTROLLING ARM ASSEMBLY, CLUTCH	1
6	BHR250FM01 100104754	OIL SEAL 12x22x5	1
7	BHR250FM01 100103443	CLUTCH CONTROLLING ARM SPRING	1
8	BHR250FM01 100100636-0001	CLUTCH LEVER PIN	1
9	BHR250FM01 100104887	OIL RULER ASSY	1
10	BHR250FM01 100031573	O-RING 18x3	1
11	BHR250FM01 100104101-0007	COVER COMP. RIGHT CRANKCASE	1
12	BHR250FM01 100100868	PIN 8x14x6.3	2
13	BHR250FM01 100104571	GASKET, R.CRANKCASE COVER	1
14	BHR250FM01 100011534-0002	BOLT M6x25	3
15	BHR250FM01 100011539-0001	BOLT M6x45	1
16	BHR250FM01 100010964-0002	SCREW M6x12	4
17	BHR250FM01 100031958-0007	BOLT M6x55	2
18	BHR250FM01 100011537-0002	BOLT M6x35	1
19	BHR250FM01 100055588-0006	BOLT M6x20	3
20	BHR250FM01 100011542-0001	BOLT M6x60	1
21	BHR250FM01 100055587-0006	BOLT M6x28	2
22	BHR250FM01 100104547	GASKET, L.CRANKCASE COVER	1
23	BHR250FM01 100100868	PIN 8x14x6.3	2
24	BHR250FM01 100101202	BEARING	1
25	BHR250FM01 100204824-0006	FRONT PART, L.CRANKCASE COVER	1
26	BHR250FM01 100010074	O-RING 13.2x2.65	1
27	BHR250FM01 100103059-0025	CAP, SMALL VIEW HOLE	1
28	BHR250FM01 100107731	O-RING 27.4x2.65	1
29	BHR250FM01 100103126-0026	DECORATE COVER, L.CRANKCASE COVER	1
30	BHR250FM01 100107808	O-RING 63x2.65	1
31	BHR250FM01 100100007-0012	COVER, REDUCTION GEAR	1
32	BHR250FM01 100202419-0005	BACK PART, L.CRANKCASE COVER	1



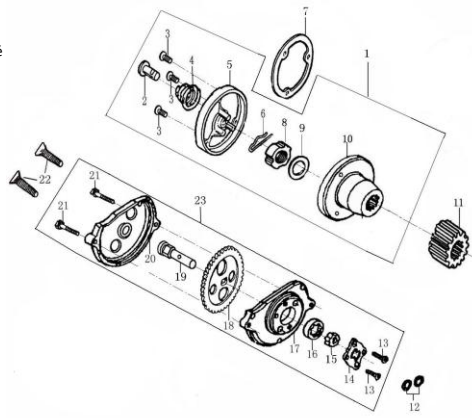
CLUTCH ASSY

N°	PART CODE	DESCRIPTION	Qté
1	BHR250FM01 100203002	OUT CASE ASSEMBLY, CLUTCH	1
2	BHR250FM01 100103341	WASHER	1
3	BHR250FM01 100050125	PRESSURE PLATE, CLUTCH	1
4	BHR250FM01 100050121	DRIVE FRICTION DISK	7
5	BHR250FM01 100103422	OUTER FRICTION DISK A	6
6	BHR250FM01 100050124	CENTER SLEEVE, CLUTCH	1
7	BHR250FM01 100202978	SPRING, CLUTCH	6
8	BHR250FM01 100103373	END COVER,CLUTCH	1
9	BHR250FM01 100100429-0003	BOLT M5*20	6
10	BHR250FM01 100103436	PUSHING ROD, CLUTCH	1
11	BHR250FM01 100010690	BEARING (16003)	1
12	BHR250FM01 100100601	ELASTIC CHECK RING	1
13	BHR250FM01 100202857	CLUTCH ASSY	1



OIL PUMP/OIL FILTER

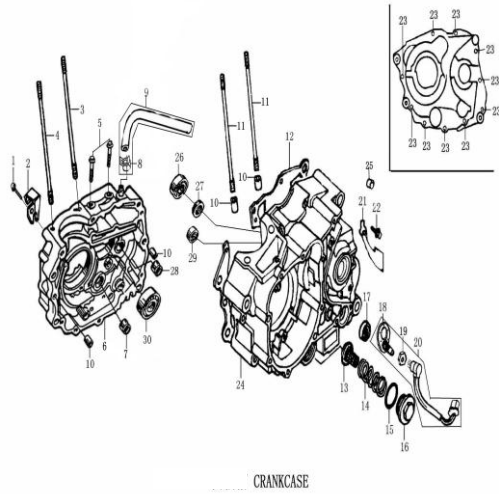
N°	PART CODE	DESCRIPTION	Qté
1	BHR250FM01 100200006	OIL FILTER,COMP	1
2	BHR250FM01 100104843	OIL PIPE	1
3	BHR250FM01 100010969-0001	SCREW M5x12	3
4	BHR250FM01 100104844	SPRING, OIL PIPE	1
5	BHR250FM01 100104849-0001	OIL FILTER COVER	1
6	BHR250FM01 100104850	OPEN PIN	1
7	BHR250FM01 100104600	GASKET, OIL FILTER	1
8	BHR250FM01 100100524	NUT	1
9	BHR250FM01 100103345	DISH WASHER, CLUTCH	1
10	BHR250FM01 100200018	ROTOR ASS. OF OIL FILTER	1
11	BHR250FM01 100103485	PRIMARY DRIVE GEAR	1
12	BHR250FM01 100107842	O-RING 9.4x2.4	2
13	BHR250FM01 100031823-0002	SCREW M4x10	2
14	BHR250FM01 100204515	OIL PUMP COVER	1
15	BHR250FM01 100204586	INNER ROTOR, OIL PUMP	1
16	BHR250FM01 100204777	OUTER ROTOR, OIL PUMP	1
17	BHR250FM01 100204557	OIL PUMP BODY	1
18	BHR250FM01 100204470	GEAR,OIL PUMP	1
19	BHR250FM01 100204494	SHAFT,OIL PUMP	1
20	BHR250FM01 100204624	OIL PUMP GEAR COVER	1
21	BHR250FM01 100031903-0002	BOLT M5x20	2
22	BHR250FM01 100010974-0001	SCREW M6x30	2
23	BHR250FM01 100204463	OIL PUMP ASSY	1



OIL PUMP/OIL FILTER

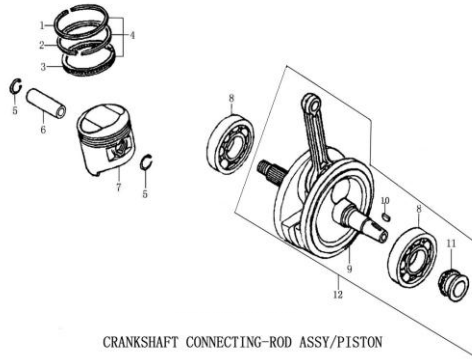
CRANKCASE

N°	PART CODE	DESCRIPTION	Qté
1	BHR250FM01 100031958-0007	BOLT M6x55	1
2	BHR250FM01 100106283-0004	HOLDER,CLUTCH CABLE	1
3	BHR250FM01 100100310	CYLINDER STUD BOLT B	1
4	BHR250FM01 100100311	CYLINDER STUD BOLT B	1
5	BHR250FM01 100055587-0006	BOLT M6x28	2
6	BHR250FM01 100206149-0009	RIGHT CRANKCASE BLOCK	1
7	BHR250FM01 100101062	BEARING (HK212810)	1
8	BHR250FM01 100105484	CLAMP	3
9	BHR250FM01 100102977	PIPE ASSY	1
10	BHR250FM01 100010557	PIN 10x14	4
11	BHR250FM01 100100255	CYLINDER STUD BOLT A	2
12	BHR250FM01 100208718	GASKET,CRANKCASE	1
13	BHR250FM01 100104943	STRAINER,OIL FILTER	1
14	BHR250FM01 100104866	SPRING,OIL FILTER STRAINER	1
15	BHR250FM01 100107766	O-RING 35x3	1
16	BHR250FM01 100102871-0002	COVER, VALVE CHAMBER	1
17	BHR250FM01 100104650	OIL-SEAL 14x28x7	1
18	BHR250FM01 100208351	GEARSHIFT SWITCH PLATE	1
19	BHR250FM01 100100526	NUT	1
20	BHR250FM01 100208408-0002	GEARSHIFT SWITCH LAMP	1
21	BHR250FM01 100102901	POSITION PLATE	1
22	BHR250FM01 100055591-0006	BOLT M6x12	1
23	BHR250FM01 100011540-0007	BOLT M6x50	10
24	BHR250FM01 100102948-0008	LEFT CRANKCASE BLOCK	1
25	BHR250FM01 100101202	BEARING	1
26	BHR250FM01 100010679	BEARING (6204)	1
27	BHR250FM01 100104700	OIL SEAL 20x34x7	1
28	BHR250FM01 100101072	BEARING (NK152312)	1
29	BHR250FM01 100101026	BEARING (TM62022)	1
30	BHR250FM01 100100945	BEARING (6006_C3)	1



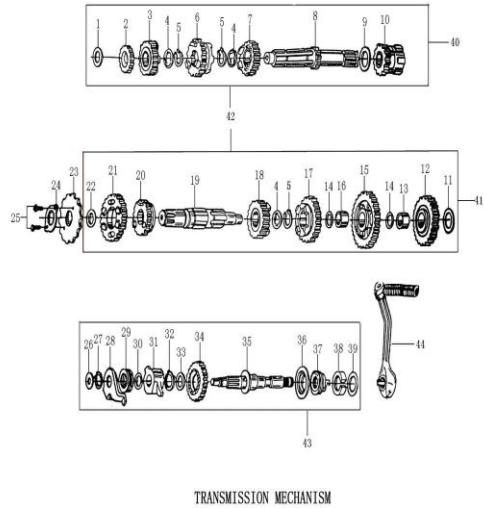
CRANKSHAFT CONNECTING-ROD ASSY/PISTON

N°	PART CODE	DESCRIPTION	Qté
1	BHR250FM01 100206421	PISTON RING 1	1
2	BHR250FM01 100206469	PISTON RING 2	1
3	BHR250FM01 100206527	OIL RING ASSY	1
4	BHR250FM01 100101666	PISTON RING COMP	1
5	BHR250FM01 100100582	CHECK RING, PISTON PIN	2
6	BHR250FM01 100101534	PIN PISTON	1
7	BHR250FM01 100101462	PISTON	1
8	BHR250FM01 100102747	BEARING (TM-SC06B42)	2
9	BHR250FM01 100207182	CONNECTING ROD COMP 3	1
10	BHR250FM01 100100643	SEMICIRCULAR KEY	1
11	BHR250FM01 100101984	HUB DUMP CHAIN SPROCKET	1
12	BHR250FM01 100207013	CRANKSHAFT CONNECTING-ROD ASSY	1



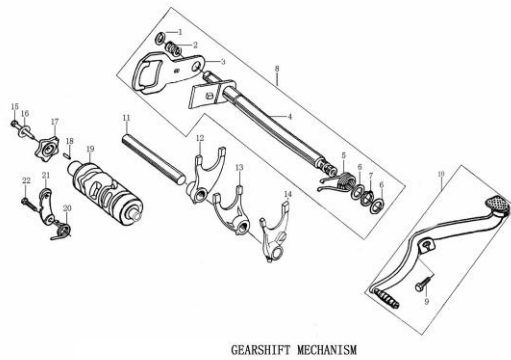
TRANSMISSION MECHANISM

N°	PART CODE	DESCRIPTION	Qté
1	BHR250FM01 100106510	WASHER 15.2x1x25	1
2	BHR250FM01 100103627	GEAR M-2	1
3	BHR250FM01 100103630	GEAR M-5	1
4	BHR250FM01 100103647	WASHER	3
5	BHR250FM01 100100596	CIRCLI $\phi 18.5 \times 1.2 \times \phi 22.1$	3
6	BHR250FM01 100103629	GEAR M-4	1
7	BHR250FM01 100103628	GEAR M-3	1
8	BHR250FM01 100052667	TRANSMISSION MAIN SHAFT	1
9	BHR250FM01 100106525	WASHER 20.2x0.5x27	1
10	BHR250FM01 100053061	FINAL SHAFT	1
11	BHR250FM01 100106511	WASHER 15.2x1x30	1
12	BHR250FM01 100103778	GEAR	1
13	BHR250FM01 100103565	GEAR BUSH	1
14	BHR250FM01 100106434	WASHER 16.5x0.5x24	2
15	BHR250FM01 100103743	GEAR C-1	1
16	BHR250FM01 100203405	GEAR BUSH	1
17	BHR250FM01 100103741	GEAR C-3	1
18	BHR250FM01 100103739	GEAR C-4	1
19	BHR250FM01 100103689	TRANSMISSION COUNTER SHAFT	1
20	BHR250FM01 100103740	GEAR C-5	1
21	BHR250FM01 100103737	GEAR C-2	1
22	BHR250FM01 100106460	WASHER 20x1x27	1
23	BHR250FM01 100103810	DRIVE SPROCKET	1
24	BHR250FM01 100103850	FIXING PLATE, DRIVE SPROCKET	1
25	BHR250FM01 100031911-0004	BOLT M6x10	2
26	BHR250FM01 100106396	WASHER 12.1x1x18	1
27	BHR250FM01 100011098	CIRCLIP 16	1
28	BHR250FM01 100105793	GUIDE PLATE ASS.	1
29	BHR250FM01 100105788	SPRING, KICK STARTING RATCHET WHEEL	1
30	BHR250FM01 100106425	WASHER 16.1x1x24	1
31	BHR250FM01 100105783	STARTING RATCHET	1
32	BHR250FM01 100100598	CIRCLI $\phi 18.5 \times 1.2 \times \phi 22.4$	1
33	BHR250FM01 100106522	WASHER 20x0.5x27	1
34	BHR250FM01 100102487	GEAR, KICK STARTER	1
35	BHR250FM01 100105753-0001	PIVOT, KICK STARTING SHAFT	1
36	BHR250FM01 100105740	SEAT, SPRING, KICK STARTING SHAFT	1
37	BHR250FM01 100105746	RETURN SPRING, KICK STARTING SHAFT	1
38	BHR250FM01 100105763	COLLAPSIBLE	1
39	BHR250FM01 100106426	WASHER 16.1x1x30	1
40	BHR250FM01 100065709	MAIN SHAFT, TRANSMISSION	1
41	BHR250FM01 100203556	COUNTERSHAFT TRANSMISSION	1
42	BHR250FM01 100068374	TRANSMISSION MAIN. COUNTER SHAFT	1
43	BHR250FM01 100201863	KICK STARTING SHAFT ASSEMBLY	1
44	BHR250FM01 100303403	START-UP BAR COMP	1



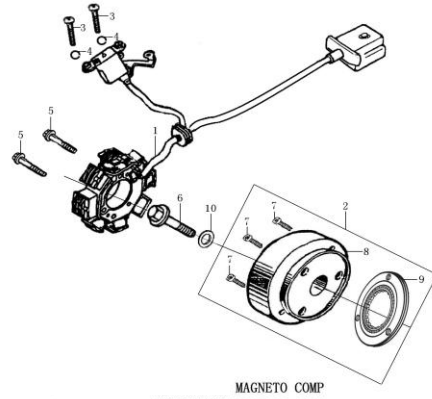
GEARSHIFT MECHANISM

N°	PART CODE	DESCRIPTION	Qté
1	BHR250FM01 100011095	CIRCLIP 12	1
2	BHR250FM01 100103977	SPRING, GEARSHIFT PLATE	1
3	BHR250FM01 100103998	GEARSHIFT PLATE	1
4	BHR250FM01 100106308-0001	GEARSHIFT SHAFT COMP	1
5	BHR250FM01 100203926	RETURN SPRING	1
6	BHR250FM01 100106402	WASHER 14x0.5x20	2
7	BHR250FM01 100011096	CIRCLIP 14	1
8	BHR250FM01 100106302-0001	GEARSHIFT LEVER COMP	1
9	BHR250FM01 100011174-0006	BOLT M6x20	1
10	BHR250FM01 100204027	GEARSHIFT SHAFT	1
11	BHR250FM01 100103914	SHAFT , GEARSHIFT FORK	1
12	BHR250FM01 100103895	RIGHT FORK, COUNTERSHAFT	1
13	BHR250FM01 100103904	CENTER FORK, MAINSHAFT	1
14	BHR250FM01 100103899	LEFT FORK, COUNTERSHAFT	1
15	BHR250FM01 100100420-0002	BOLT	1
16	BHR250FM01 100010886-0005	WASHER φ6	1
17	BHR250FM01 100103943	STOPPING PLATE	1
18	BHR250FM01 100032886	PIN 4x10	1
19	BHR250FM01 100203825	GEARSHIFT DRUM	1
20	BHR250FM01 100052781	SPRING ,LOCATING PLATE	1
21	BHR250FM01 100059046	LOCATING PLATE ASSY	1
22	BHR250FM01 100011174-0004	BOLT M6x20	1



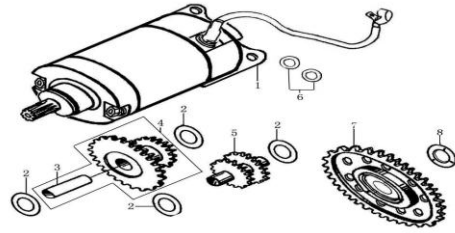
MAGNETO COMP

N°	PART CODE	DESCRIPTION	Qté
1	BHR250FM01 100104166-0002	STATOR ASSY,MAGNETO	1
2	BHR250FM01 100104192	ROTOR ASSY,MAGNETO	1
3	BHR250FM01 100031844-0002	SCREW M4x10	2
4	BHR250FM01 100010884-0004	WASHER ϕ 4	2
5	BHR250FM01 100055587-0006	BOLT M6x28	2
6	BHR250FM01 100050578	BOLT M10x36	1
7	BHR250FM01 100100499-0001	BOLT M8x18	3
8	BHR250FM01 100104190	ROTOR ASSY,MAGNETO	1
9	BHR250FM01 100103204	ASSEMBLY, OVERRUNNING CLUTCH	1
10	BHR250FM01 100053900	WASHER 10.5x2.5x24	1



ELECTRIC STARTING MECHANISM

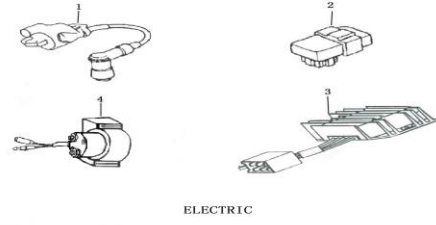
N°	PART CODE	DESCRIPTION	Qté
1	BHR250FM01 100104258-0025	STARTING MOTOR ASSY	1
2	BHR250FM01 100106391	WASHER 10.5x0.5x18	4
3	BHR250FM01 100103228	SHAFT,REDUCTION	1
4	BHR250FM01 100202659	GEAR, REDUCTION, 1	1
5	BHR250FM01 100202634	GEAR, REDUCTION, 2	1
6	BHR250FM01 100205350	WASHER	2
7	BHR250FM01 100103265	PLATE GEAR ASSY	1
8	BHR250FM01 100103215	WASHER 22x3.5x34	1



ELECTRIC STARTING MECHANISM

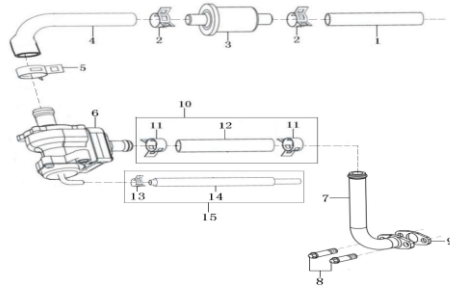
ELECTRIC

N°	PART CODE	DESCRIPTION	Qté
1	BHR250FM01 100204266-0006	IGNITION COIL	1
2	BHR250FM01 100204361	C.D.I	1
3	BHR250FM01 100205413	RECTIFIER	1
4	BHR250FM01 100205381	RELAY	1



EXHAUST GAS RECIRCULATION SYSTEM

N°	PART CODE	DESCRIPTION	Qté
1	BHR250FM01 100105396	CONNECTING PIPE	1
2	BHR250FM01 100105402	HOOP	2
3	BHR250FM01 100105406	SEC.AIR BOX VALVE	1
4	BHR250FM01 100105392	CONNECTING PIPE	1
5	BHR250FM01 100105403	HOOP	1
6	BHR250FM01 100105445	GAS PUMP	1
7	BHR250FM01 100201410-0001	IRON PIPE	1
8	BHR250FM01 100055589-0006	BOLT M6*16	2
9	BHR250FM01 100104640	PAPER GASKET	1
10	BHR250FM01 100201446	RUBBER PIPE	1
11	BHR250FM01 100105484	CLAMP	2
12	BHR250FM01 100108171	RUBBER PIPE	1
13	BHR250FM01 100105485	CLAMP	1
14	BHR250FM01 100105471	RUBBER PIPE	1
15	BHR250FM01 100201432	RUBBER PIPE	1



EXHAUST GAS RECIRCULATION SYSTEM