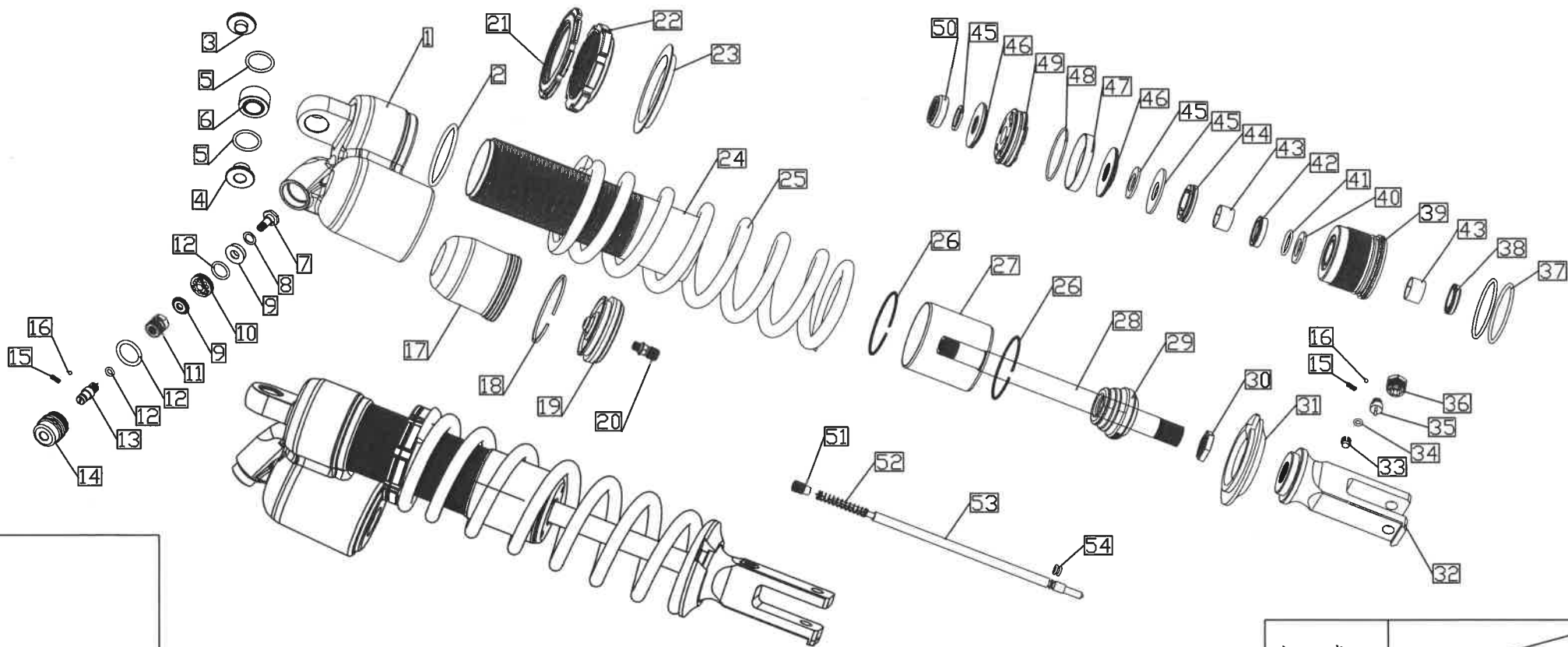


1	Upper mount	7	AC adjust base screw	13	AC adjust axis	19	Piggyback cover	25	Spring	31	Spring cover	37	O ring	43	Bearing	49	Main piston
2	Oring	8	Washer	14	AC adjust base	20	Charging valve	26	C ring	32	Lower mount	38	Dust seal	44	Inner cushion	50	Nut
3	Fisheye bush	9	Shims stack	15	Small spring	21	Fasten nut	27	Scuff sleeve	33	AR adjust axis	39	Oil seal base	45	Gasket	51	Axis nut
4	Fisheye bush	10	Compression piston	16	Steel ball	22	Fasten nut	28	Main pole	34	O ring	40	Support ring	46	Shims stack	52	Small spring
5	Oring	11	AC adjust base contact screw	17	Air bag	23	Spring pad	29	Bumpstop	35	AR contact axis	41	O ring	47	Wear ring	53	Control axis
6	Joint bearing	12	Oring	18	C ring	24	Stanchion tube	30	Nut	36	AR adjust base	42	Oil seal	48	O ring	54	O ring



表面處理

記號	日期	內容摘要	一般公差			FASTACE CO., LTD High Performance Suspension				料號		
			尺寸範圍	容許差	角度公差	比例	1:2.5	日期	2019.03.06	核准	圖號	BSA56D001-5-A
			1~4	±0.02	±10'	單位	mm	材質		審核	型式	BSA56RC
			4~16	±0.05	±20'	視角		硬度		繪圖	圖名	爆炸圖
			16~63	±0.1	±30'							
			63~250	±0.2	±1°							
			250~1000	±0.5	±2°							